



EARTHlite®
World's #1 Brand in Massage™



The Avalon Portable at COMO Shambhala, Bali



EARTHlite[®]
World's #1 Brand in Massage™

Our Guiding Principles

Healing Humanity Through Touch

We recognize the powerful effects of massage and other healing modalities. We serve the massage community by supplying the highest quality treatment tables, supplies, and accessories so that massage therapists can go about the higher purpose of "healing humanity through touch."



Produce Exceptional Products

We promise to make our tables the best we can, from the finest materials and with the love and care our customers have come to expect from Earthlite. We are committed to continuously innovating and improving our products.



Fulfill Our Global Responsibility

We recognize our stewardship responsibility in the world community. Earthlite is committed to making all of our global manufacturing meet the same high environmental and quality standards as we have in the U.S. Further, we will continue to support humanitarian projects and the Earthlite Response Team in an effort to make the world a better place.



Follow Fair Business Practices

We will treat our employees like family, with honor and respect, and continually strive to make Earthlite a rewarding and fun place to work. We will treat our customers and vendors fairly, seeking win-win situations.



Use Earth-Friendly Materials And Practices

A respect for nature and environmental integrity is at the core of our company philosophy. We will use environmentally friendly materials and processes whenever possible. We will continue to recycle, minimize waste, and build our tables to last so they don't show up in landfills. Earthlite's Plant a Tree™ program reduces our carbon footprint by planting a tree for every table we make.



A Letter From Earthlite's Founder

The Beginning

Back in 1975, I was a new student at the Florida School of Massage. In those days, there were few massage table manufacturers and we had to get our materials any way we could. The first table I made was for a classmate. It was a beauty — a Douglas Fir frame, Naugahide cover, and foam pulled from an old couch. It must've weighed 50 lbs! I made tables for other students using an old Sears Craftsman table saw in a friend's garage. My love for woodworking and my desire to help other therapists heal humanity through touch fueled me. I like to say that those first tables were "built with love" and they were. I never could have imagined how far we would come in the years that followed. Massage therapy was becoming increasingly mainstream. I continued to practice my craft and built tables for friends. In 1987, Earthlite was officially born. As happy customer referrals started to pour in, I knew we were doing something right.

Respect for Nature

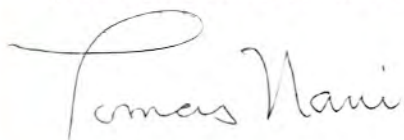
Living in California, immersed in its natural beauty, made us acutely aware of our relationship with the Earth. From the start, we worked hard to use renewable materials and environmentally friendly glues and lacquers. This has only intensified with time. We didn't have a grand vision back then – only to make a quality massage table that our customers could be proud of. Today, Earthlite depends solely upon renewable wood sources from managed forests. We recycle 100% of our scrap wood, minimize waste, and use environmentally friendly upholstery and CFC-free foam. I am most proud to say that through our "Plant a Tree" program and various other environmental partnerships, we have achieved a zero-carbon footprint.

Guided by Principles

Our Guiding Principles are at the core of everything we do at Earthlite. They manifest in our environmental policies, and also in our commitment to our employees and to the global community. More than once, our values have compelled us to respond to global disasters through charitable donations and outreach. The Earthlite Response Team, a team of handpicked massage therapists, has traveled all over the globe, providing massage therapy to victims and relief workers in the aftermath of natural disasters. For me, this reaffirms the most crucial part of our mission: To heal humanity through touch.

Built with Love

Rest assured, we will continue our commitment to quality, innovation, sustainability, and global responsibility. All these years later, know that when you buy an Earthlite product, it is still "built with love" and made to last a lifetime.



Tomas Nani

Tomas Nani, Founder
Earthlite



Spirit™

PORTABLE MASSAGE
TABLES

Spa-Level Comfort in a Portable Table

Earthlite's premier portable massage table, the Spirit™, is the classic that you can always count on. Are we proud of the Spirit™? You bet we are. We are proud of its strength, innovative 10-layer hoop design, Jointless™ rounded corners, Pro-Plush™ Deluxe 3-Layer 3" cushioning system, and precision craftsmanship. Most of all, we are proud of the versatility it offers therapists: the Spirit™ comes in a variety of designs and adapts to various modalities, including deep tissue and Shiatsu.



Optional package includes Table, Flex-Rest™ Self-Adjusting Facecradle with Form-fit™ Memory Cushion and Professional Carry Case

Shown in Natursoft™ Mystic Blue



Solid Hard Maple Frame



Jointless™ Round Corners



1000-lb Shiatsu Release Cables



All Access Reiki Endplate



Pro-Plush™ Deluxe 3-Layer, 3" Cushioning



Natursoft™ Upholstery in 16 Colors

MADE IN THE USA
with components sourced globally

STANDARD FEATURES

- 10-layer laminate hoop frame
- Jointless™ round corner design
- Managed forest Hard Maple legs, braces and outlets
- Aircraft quality Russian Birch deck
- Hardwood reinforcing ribs
- Full-length piano hinge
- Mid-brace™ cradle-lock cabling
- ½ Reiki / ½ Standard endplates

- Natursoft™ Upholstery – 100% PU in 16 colors
- Pro-Plush™ Deluxe 3-Layer 3" cushioning system
- 1000-lb Shiatsu release cables
- Stitched-Fit™ upholstery
- Non-slip, Stablefoot™ traction pads
- Lifetime Limited Warranty

OPTIONS

- LT Lightweight version
- Manual Tilt option
- Low and extended height range legs
- Full Reiki/Full Standard option available
- Facehole (Traditional or Crescent)
- UltraLeather™ Upholstery
- Pregnancy option
- Feldenkreis or 4" Memory Foam System
- Value Package

SPECIFICATIONS

- Weight: 34 – 37 lbs.
- Width: 28", 30", 32" (35")
- Length: 73"
- Height Range: 23" - 33"
- Opt. Height Range: 19" - 28", 26" - 36"
- Static Weight: 3200 lbs.
- Max. Working Weight: 800 lbs.

CE



Spirit™ Collection

The Ultimate in Portable Massage



Spirit™ Tilt

- Manually adjustable in 23 positions
- Exceptionally sturdy and stable
- Versatile for a variety of treatments

MADE IN THE USA
with components sourced globally



Spirit™ LT

- Remarkably lightweight at 28 lbs.
- Easy to transport
- Stable and comfortable

Spirit™ Pregnancy

- Ultra-comfortable mesh support
- Accommodates various stages of pregnancy
- Rounded corners for accessibility



Pregnancy Opening for Client Comfort



Flexible Support Mesh for all Stages of Pregnancy

Infinity™

PROFESSIONAL MASSAGE
TABLE

Accessible Curves

The Hourglass. Its beauty is timeless, graceful, and strong enough to withstand the rigors of time. Earthlite's Infinity™ was designed to meet the natural contours of all body types while allowing exceptional access for the therapist. Thanks to our patented Jointless™ hoop design, it is narrow at the waist with sweeping, rounded corners. What does that mean for you? It means the Infinity™ offers excellent client access, is remarkably portable, and is easy on the eye.



Optional Package includes Table, Flex-Rest™ Self-Adjusting Facecradle with Form-fit™ Memory Cushion and Professional Carry Case



Tapered Hoop Design



Solid, Hard Maple Frame



½ Reiki / ½ Standard Endplates



Flex-Rest™ Self-Adjusting Facecradle



Pro-Plush™ Deluxe 3-Layer, 3" Cushioning



Sumptuous, Durable Natursoft™ Upholstery

MADE IN THE
USA
with components sourced globally

Shown in Natursoft™ Amethyst

STANDARD FEATURES

- Tapered 10-layer laminated hoop frame
- Jointless™ rounded corners
- Managed forest Hard Maple legs, braces and outlets
- Aircraft quality Russian Birch plywood decking
- Full-length piano hinge
- Mid-brace™ Cradle-lock cabling system with 1000-lb test cables
- Shiatsu release cables

OPTIONS

- UltraLeather™ Upholstery
- Extended height range legs
- Value Package

SPECIFICATIONS

- Weight: 32 – 33 lbs.
- Width: 32" tapered to 28" with hourglass shape
- Length: 73"
- Height Range: 23" – 33"
- Opt. Height Range: 26" – 36"
- Static Weight: 3200 lbs.
- Max. Working Weight: 800 lbs.

CE



Avalon XD™

PROFESSIONAL TABLE
PACKAGE

Premium Value & Style

This premium, handcrafted value package comes standard with incredibly comfortable cushioning and Natursoft™ upholstery, a state-of-the-art Flex-Rest™ self-adjusting facecradle, and ½ Reiki / ½ Standard endplates for unparalleled balance and stability. Combine that with its many available accessories and the Avalon XD™ is a complete professional package designed to last a lifetime.



Standard package includes Flex-Rest™ Self-Adjusting Facecradle with Form-fit™ Memory Cushion and Carry Case



Solid, Hard Maple Frame



Precision Etched 50/50 Endplates



Shiatsu Release 1000-lb Test Cables



Flex-Rest™ Self-Adjusting Facecradle



Multi-Layer 2 ¼" Cushioning System



Natursoft™ Upholstery in 7 colors

PORTABLES

Shown in Natursoft™ Teal

STANDARD FEATURES

- Managed forest Hard Maple legs, braces and outlets
- Aircraft quality Russian Birch plywood decking
- Mid-brace™ Cradle-lock cabling system with 1000-lb test cables
- Shiatsu release cables
- ½ Reiki / ½ Standard endplates

OPTIONS

- Manually adjustable tilt with 23 positions

SPECIFICATIONS

- Weight: 34 lbs.
- Width: 30"
- Length: 73"
- Height Range: 23" – 33"
- Static Weight: 3000 lbs.
- Max. Working Weight: 750 lbs.

CE



EARTHlite
World's #1 Brand in Massage™

Harmony DX™

PROFESSIONAL TABLE PACKAGE

Save a lot of Green

The Harmony DX™ is crafted from managed-forest Hard Maple and finished with eco-friendly, water-based lacquers and glues. Layered with our lightweight, ultra-comfy 2½" cushioning system and wrapped in luxurious Nature's Touch upholstery, the Harmony DX™ embodies comfort, sustainability, and style. And it does all that at a price that won't break the bank.



Standard package includes Table, Deluxe Adjustable Headrest and Standard Carry Case

Shown in Natursoft™ Burgundy



Maple Frame and Birch Decking



Non-slip, Stablefoot™ Traction Pads



Deluxe Adjustable Facecradle



Mid-Brace™ 1000-lb Test Cables



Multi-Density 2 ½" Cushioning System



Nature's Touch 100% PU Upholstery

STANDARD FEATURES

- Full-sized, 30" x 73" frame
- Managed forest Hard Maple legs, braces and outlets
- Aircraft quality Russian Birch plywood decking
- Mid-brace™ Cradle-lock cabling system with 1000-lb test cables
- Multi-Density 2 ½" cushioning system

SPECIFICATIONS

- Nature's Touch Upholstery – 100% PU in 4 colors
- Dual Maple headrest outlets
- Non-slip, Stablefoot™ traction pads
- Lifetime Limited Warranty
- Weight: 34 lbs.
- Width: 30"
- Length: 73"
- Height Range: 23" – 33"
- Static Weight: 2400 lbs.
- Max. Working Weight: 600 lbs.

CE



Luna™

LIGHTWEIGHT ALUMINUM
PORTABLE

Full Sized, Super Light

Our ultra-light Luna™ certainly appears to defy gravity on occasion. Mind you, this isn't an easy task for a full-sized portable massage table. Luna's™ Reiki-ready aluminum frame, Shimmy-Lok™ leg brace system, and superior cushioning have birthed what is arguably the lightest, strongest, most stable portable massage table on the market.



Optional Package includes Table, Flex-Rest™ Self-Adjusting Facecradle with Form-fit™ Memory Cushion and Professional Carry Case



Reiki-Ready Endpanels



Patented Shimmy-Lok™ Leg Brace System



Ultra-Lightweight Aluminum Frame



Flex-Rest™ Self-Adjusting Facecradle



Pro-Lite™ Dual-Layer, 2 1/4" Cushioning System



Natursoft™ Upholstery in 16 colors

Shown in Natursoft™ Teal

STANDARD FEATURES

- Patent pending Reiki-ready super-lite aluminum frame
- Full-length piano hinge
- Patent pending Shimmy-Lok™ leg brace system
- Mid-brace™ Cradle-lock cabling system with 1000-lb test cables
- Pro-Lite™ 2-layer 2 1/4" cushioning system
- Natursoft™ Upholstery – 100% PU in 16 colors
- Aircraft quality Russian Birch plywood decking
- Dual headrest outlets
- Lifetime Limited Warranty

OPTIONS

- UltraLeather™ Upholstery
- Value Package

SPECIFICATIONS

- Weight: 29 lbs.
- Width: 30"
- Length: 73"
- Height Range: 24" – 34"
- Static Weight: 3000 lbs.
- Max. Working Weight: 750 lbs.

CE



EARTHlite
World's #1 Brand in Massage™

Calistoga™

PORTABLE SPA
TABLE PACKAGE

Spa On The Go

In a five-star hotel room, on a seaside deck, or by a sun-drenched pool – perform spa treatments wherever you are. Crafted from solid Hard Maple and luxuriously upholstered in Natursoft™, the Calistoga Portable™ epitomizes versatility, allowing for facials, massage, and plenty of other on-the-go spa treatments. And when you aren't performing your craft, fret not – the Calistoga Portable™ folds neatly away for perfect portability and simple storage.



Package includes Table, Neck Roll, Salon
Pillow, Sidearms, and Footrest

Shown in Natursoft™ Sterling



Totally Portable Spa
Treatment Table



Solid, Hard Maple
Frame



Fully Adjustable
Manual Salon Top



Complete with Spa
Accessories



Pro-Plush™ Deluxe
3-Layer, 3\"/>



Sumptuous, Durable
Natursoft™ Upholstery

**MADE IN THE
USA**
with components
sourced globally

STANDARD FEATURES

- Quality Hard Maple construction
- Full-length piano hinge
- Deluxe Manually Adjustable Salon Top
- Pro-Plush™ Deluxe 3-Layer 3\"/>

OPTIONS

- UltraLeather™ Upholstery
- Carry Case

SPECIFICATIONS

- Weight: 45 – 48 lbs.
- Width: 27\"/>

CE





Total Sound Immersion

It is an instant oasis. Available as cushion only or in the Zenvi™ Sound Table and the Zenvi™ Sound Chair, this innovative collection features patented NXT SurfaceSound™ technology and connects to iPods, iPhones, and other portable Mp3 players so your clients can relax to their own music during sessions.



Compatible with any iPod, iPhone, or other Mp3 device.

ZENVI SOUND TABLE

- Weight: 34 lbs.
- Width: 30"
- Length: 73"
- Height Range: 23" – 33"
- Max. Working Weight: 600 lbs.
- Multi Density 2½", 2-layer Cushioning System
- Nature's Touch Upholstery in Black
- Lifetime Limited Warranty (Table)
- Mp3 Player not included



ZENVI SOUND CUSHION

Compatible with any iPod, iPhone, or other Mp3 device. Simply place device in side pouch, connect, and enjoy.

- Crescent Headrest with Multi-Density 4" Cushioning System
- NXT SurfaceSound™ Technology
- Rechargeable Battery Pack with 12-Hour Playback
- AC Power Charger
- 1 Year Limited Warranty (Cushion)
- Mp3 Player not included



ZENVI SOUND CHAIR

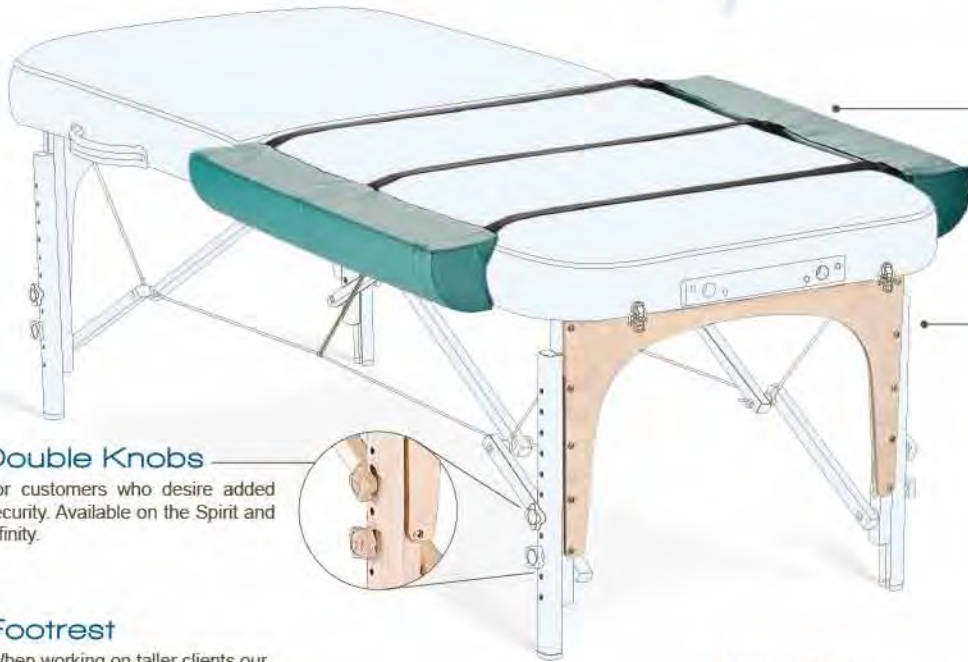
- Weight: 16 lbs.
- Max. Working Weight: 300 lbs.
- Multi Density 2" Cushioning System
- Nature's Touch Upholstery in Black
- 2 Year Lifetime Limited Warranty (Chair)
- Mp3 Player not included



Portable Table Options

Accessorize for Comfort

Earthlite offers a variety of portable table options to facilitate various massage modalities, improve accessibility, and ease client comfort and relaxation.



Armrest Bolster

Lightweight and easy to install, they add an extra 10" to the width of any massage table.

Open Access Reiki Endplates

Increased leg clearance at the head and foot of the table provides ample client access for deep tissue work.

Double Knobs

For customers who desire added security. Available on the Spirit and Infinity.



Footrest

When working on taller clients our Earthlite footrest adds an extra 10" to massage tables.



Armrests

Earthlite optional armrests are 26" long and, as a pair, add 7" to the width of a table. Horizontally adjustable for optimal client comfort.

Portable Shelf

Optional storage space that keeps blankets, towels, and sheets within easy reach.

Hanging Armrests

Provide greater shoulder access while supporting your client's arms. Armrests adjust to various widths.



Extended Legs

Extend the length of your table legs by 3" for improved functionality. Available for Spirit and Infinity tables only.



Crescent Facehole

Our built-in crescent facehole offers superior comfort and eliminates the need for a separate facecradle. Shown with crescent cushion and an optional filler plug.



Traditional Facehole

Earthlite's traditional facehole eliminates the need for a separate facecradle while offering exceptional comfort. Comes complete with filler plug.



Portable Table Comparison

Making the Right Choice

A quick and easy-to-read, side-by-side overview of our most prominent table features and functions. Please refer to individual catalog product pages for more detailed information.



EARTHlite
World's #1 Brand in Massage™



	Spirit	Spirit LT	Infinity	Avalon XD	Harmony DX	Luna	Calistoga	Medisport	Zenvi
Width	28", 30", 32", 35"	30"	28-32" Hourglass	30"	30"	30"	27"	25"	30"
Length	73"	73"	73"	73"	73"	73"	61" (81" w/ accessories)	73"	73"
Standard Height Range	23"-33"	23"-33"	23"-33"	23"-33"	23"-33"	24"-34"	23"-33"	17.5"-26.5"	23"-33"
Weight (table only)	34-37 lbs.	28 lbs.	32-33 lbs.	34 lbs.	34 lbs.	29 lbs.	45-48 lbs.	34 lbs.	34 lbs.
STRUCTURAL SPECIFICATIONS									
Leg & Brace Material	Hard Maple	Hard Maple	Hard Maple	Hard Maple	Hard Maple	Aluminum	Hard Maple	Hard Maple	Hard Maple
Frame	10-layer hoop	Dowel-joint	10-layer hoop	Dowel-joint	Dowel-joint	Dowel-joint	Dowel-joint	Dowel-joint	Dowel-joint
Rounded Corners	Standard		Standard						
Reinforced Ribs	Standard								
Endplate - Reiki or Standard	½ & ½	½ & ½	½ & ½	½ & ½	Standard	Reiki	Reiki	Standard	Standard
Full-Length Hinge	Standard	Standard	Standard	Standard	Standard	Standard	Standard	Standard	Standard
Shimmy-Lok™ Leg Braces						Standard			
Shiatsu Release	Standard	Standard	Standard	Standard					
Static Weight (lbs)	3200	3000	3200	3000	2400	3000	2000	3200	2400
Working Weight (lbs)	800	500	800	750	600	750	500	800	600
UPHOLSTERY SPECIFICATIONS									
Upholstery Material	Natursoft™ 100% PU	Natursoft™ 100% PU	Natursoft™ 100% PU	Natursoft™ 100% PU	Nature's Touch™ 100% PU	Natursoft™ 100% PU	Natursoft™ 100% PU	Nature's Touch™ 100% PU	Nature's Touch™ 100% PU
Upholstery Colors	16	16	16	7	4	16	16	2	1
Stitched Fit™ Upholstery	Standard		Standard						
CFC - FREE CUSHIONING SYSTEM									
Pro-Plush Deluxe™ 3", 3-Layer Cushioning	Standard		Standard				Standard		
Pro-Plush™ 2½" Dual-Layer				Standard					
Pro-Lite™ 2¼" Dual-Layer		Standard				Standard			
2 ½" Multi-Density Cushioning					Standard				Standard
High Density 1½" Dual-Layer								Standard	
OPTIONAL FEATURES									
Tilt Option	✓ (30", 32")			✓			Standard		
UltraLeather™ Upholstery	✓	✓	✓			✓	✓		
Double Knobs	✓		✓					Standard	
Low Ht. Range 19"-28"	✓ (28", 30", 32")								
Extended Legs (+3" ht.)	✓		✓						
Traditional Facehole w/Plug	✓	✓	✓			✓		Standard	
Crescent Facehole	✓	✓	✓			✓			
Side Armrest	✓	✓	✓				Standard		
Full Reiki	✓	✓	✓			Standard	Standard	Standard	
Pregnancy	✓								

Avila II™

PORTABLE MASSAGE CHAIR PACKAGE

Infinitely Adjustable

They say that the Avila II™ is the world's most advanced massage chair and – you know what – we think it is, too. It is infinitely adjustable, ergonomically designed, and ultra-compact. Designed to provide optimal weight distribution, it maximizes comfort and support for clients and eases the work of the massage therapist. We call that a win-win.



Standard package includes Chair, Carry Case with Wheels, Sternum Pad, Valuables Pouch, Headrest and Cushion, and Instructional DVD

Shown in Natursoft™ Amethyst



Compact Design, Portable Product



Innovative Ultra-Strong Frame



Infinitely Adjustable



Replaceable, High-Quality Cushions



Dual-Layer, Soft Support™ Cushioning System



Sumptuous, Durable Natursoft™ Upholstery

STANDARD FEATURES

- Patented Composite Frame
- High-quality, Soft-Support™ removable pads
- Natursoft™ Upholstery – 100% PU in 16 colors
- Compact Design
- Stainless Steel Clutches
- Value Package
- Lifetime Limited Warranty

SPECIFICATIONS

- Weight: 25 lbs.
- Maximum Working Weight: 350 lbs.



Vortex™

PORTABLE MASSAGE
CHAIR PACKAGE

Lightweight, Compact & Comfortable

Travel much? We understand. It's why we created the Vortex™. With incredibly strong aluminum construction, the Vortex™ is stylish, compact, and extraordinarily light. It is the perfect portable venue for massage therapists, sports therapists, and more.



Standard package includes Chair, Carry Case with Strap, Sternum Pad, and Headrest and Cushion



Shown in Natursoft™ Hunter



Compact and Portable



Lightweight Aluminum Frame



Stylish, Oval Tubing



Lightweight, 16 lbs!



Pro-Lite™ Cushioning System



Natursoft™ Upholstery in 7 Colors

STANDARD FEATURES

- Exceptionally lightweight
- Oval tubing for strength
- Multiple face, arm, and seat adjustments
- Aircraft aluminum frame
- Pro-Lite™ cushioning system
- Natursoft™ Upholstery – 100% PU in 7 colors
- Value package
- Lifetime Limited Warranty

SPECIFICATIONS

- Weight: 16 – 17 lbs.
- Maximum Working Weight: 300 lbs.



Carry Cases

Table Protection & Transportation

Protect your investment with Earthlite's rugged carry cases. Created for Earthlite portable massage tables, they are designed to both protect your table and carry additional supplies.

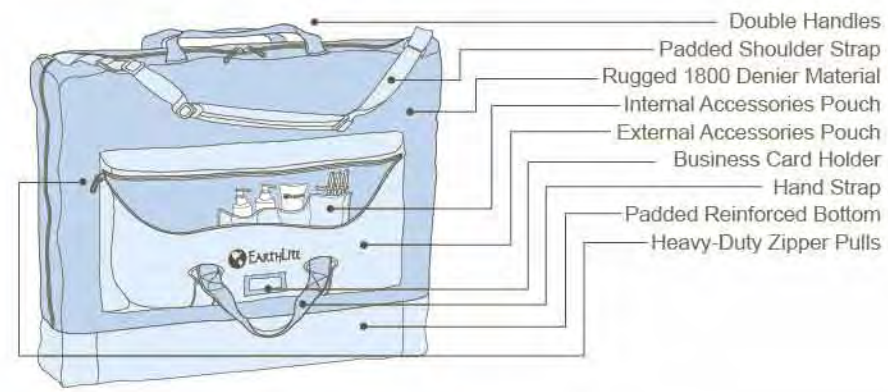


Professional Carry Case

The Professional Carry Case is constructed of heavy-duty material with a padded shoulder strap and a reinforced bottom. It features a large pocket and a convenient internal accessories pouch to hold all of your essential supplies and accessories: sheets, table warmers, oils, cremes, and bolsters. Available Sizes: 28", 30", 32".



Accessories Pouch: 28" W x 17 1/2" H
Internal Accessories Pouch: 17 1/2" W x 7 3/4" H
Bolster Not Included

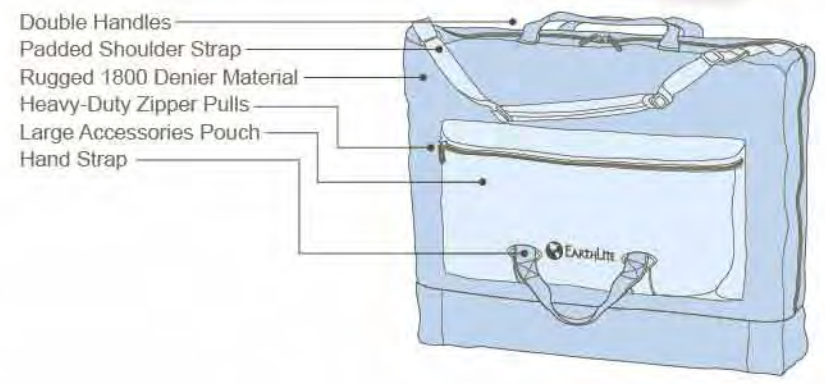


Standard Carry Case

Guard against bumps and scrapes with our heavy-duty carry case. It has a comfortable padded shoulder strap and includes a large pocket for accessories. Available Sizes: 28", 30", 32", 35".



Accessories Pouch: 28" W x 17 1/2" H



Accessories

Treatment Tools & Transport

Earthlite offers a variety of quality tools and accessories to repair and treat your table and to enhance your treatments.

Massage Roller

Great for deep therapeutic massage, especially along the spine.



Table Skate

Our Table Skate is convenient and easy to steer. Two straps with quick-release buckles secure your table with or without a carry case. Fits all portables, except Calistoga. Dimensions: 37" L x 7" W.



Table Cart

Enjoy the ease and reduced strain of rolling your table during travel. Our table cart is compatible with most popular massage tables. It has a telescoping handle, 6" wheels, stair glides, and folds compactly for easy transport and storage. Fits all standard portables, except Calistoga.



Oil Holsters

Keep your oils and crèmes in easy reach. Available with single or double pockets.



Bongers

A traditional massage tool for tapotement, breaking down muscle tension, and stimulating circulation.



Sacral Blocks

Earthlite's sacral blocks help position clients ideally for bodywork, improving both therapist access and client comfort.



Thera Cane™

A deep-pressure self-massage tool designed for hard-to-reach points on the back and shoulders.



Viraguard®
Upholstery disinfectant



Performix® VLP
Upholstery repair kit

Cushions & Facecradles

Innovative Comfort

Earthlite's facecradles and cushions were designed to provide unparalleled comfort and relaxation to clients. Using the latest in technology, Earthlite has developed an array of patented products that relieve pressure, encourage relaxation, and form to the unique shape of each client.



**Form-Fit™
Memory Foam Cushion**

Crafted from pure, temperature-sensitive viscoelastic 2-layer foam, the Form-Fit™ Earthlite Memory Foam Cushion conforms perfectly to the contours of the face for exceptional comfort and support. Standard on Caress™ and Flex-Rest™ Facecradles. Cushion thickness: 2.5".



Crescent Cushion

The Crescent Cushion offers exceptional support and conforms to the natural shape of the face. Standard on Deluxe and Crescent Facecradles. Cushion thickness: 3".



Memory Foam Cushion

A headrest cushion of soft, breathable flannel and thick, ultra-comfortable foam, the Earthlite Memory Foam Cushion conforms to the contours of the face. Cushion thickness: 3.5".



Zenvi™ Sound Cushion

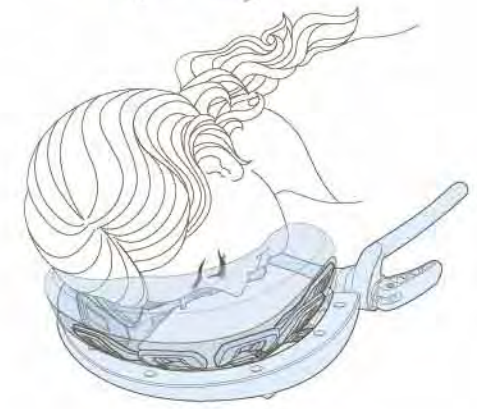
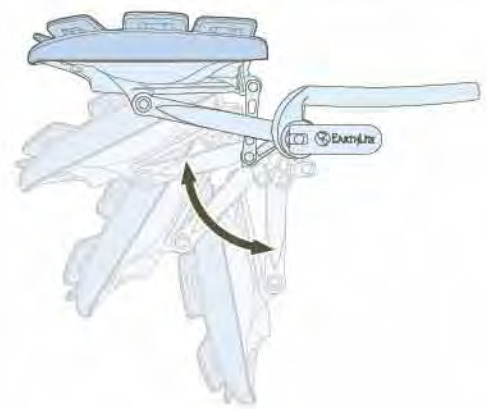
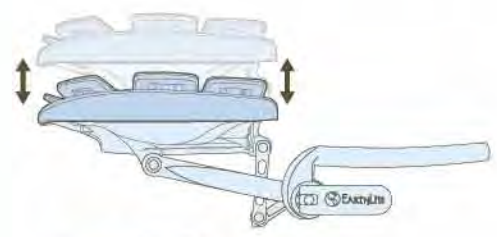
Compatible with iPhone, iPod, or other Mp3 devices. Simply place device in side pouch, connect, and enjoy. Cushion thickness: 4".

Mp3 player not included



Caress™ Self-Adjusting Facecradle

The innovative Caress™ self-adjusting facecradle incorporates eight patented Soft-Petal™ suspension pads. These petals are designed to flex and balance independently of one another to perfectly cradle the face.



Flex-Rest™ Flexible Platform Facecradle

The revolutionary Flex-Rest™ self-adjusting facecradle flexes and pivots to adapt to the unique shape of the face. The patented Flex-Rest™ base incorporates pliable connective material, which flexes under pressure to create optimal suspension.



Deluxe Adjustable Facecradle

A simple, yet elegant design, the Deluxe Adjustable Facecradle offers maximum adjustability and incredible durability. Folds easily when not in use.



Bolsters & More

Comfort for all Shapes & Sizes

Earthlite offers a broad array of bolsters and cushions. These products are made with environmentally friendly, CFC-free foam and are wrapped in our luxurious, yet durable Natursoft™ upholstery.



TravelMate™

Bring massage anywhere with the Earthlite TravelMate™, a desktop, travel-ready massage support system that allows practitioners to bring massage therapy to any home, office, or professional venue. It even works with clients in wheelchairs. TravelMate™ sets up on any desk or table top and adjusts quickly and easily. Available in Mystic Blue, Black, Latte, and Teal.



Neck Bolster 1/2 Round Bolster 3/4 Round Bolster Full Round Bolster 1/2 Jumbo Bolster 3/4 Jumbo Bolster Full Jumbo Bolster Fluffy Bolster DuraBolster™ Cover

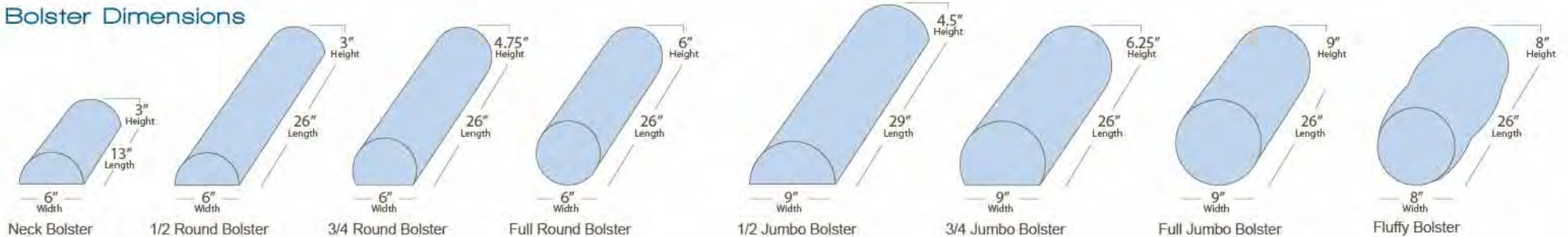
Earthlite Bolsters

Bolsters provide extra support and help relieve muscle strain when used under the knees, ankles, or neck. Our Jumbo bolsters are multi-purpose and ideal for larger clients who may require additional support. Bolsters are available in many different sizes and in all 16 Natursoft™ upholstery colors.

DuraBolster™ Cover

Protect the life of your bolster with Earthlite's DuraBolster™ Cover – a heavy-duty, water-resistant bolster cover. Designed to fit Earthlite's Full Round bolsters, the DuraBolster™ Cover is ideal for those who incorporate warm towels or hydrotherapy into their treatments, or for bolsters exposed to significant wear and tear. Sold with or without optional bolster. Available in Beige or Black.

Bolster Dimensions

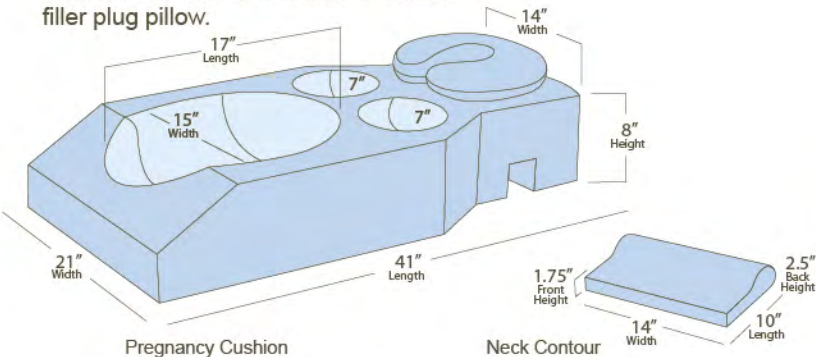




TravelMate™

Pregnancy Cushion

A support cushion for any stage of pregnancy or for clients who have recently had breast surgery or who suffer from lower back problems. Ideal for all healing professionals including massage therapists, spa professionals, chiropractors, and physical therapists. Available in Teal and Black. Includes filler plug pillow.

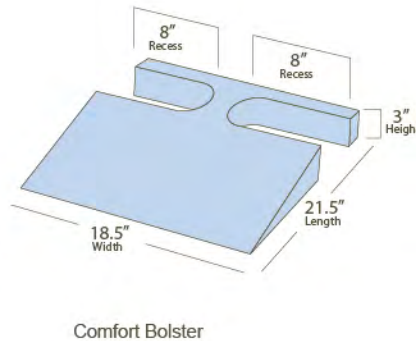


Neck Contour

Our Neck Contour Bolster enhances a variety of modalities by providing extra support for both the neck and head during bodywork treatments.

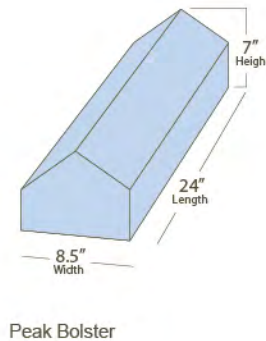
Comfort Bolster

Created with a gentle incline and bust recesses for female clients, Earthlite's Comfort Bolster provides exceptional comfort and support during prone position treatments.



Peak Bolster

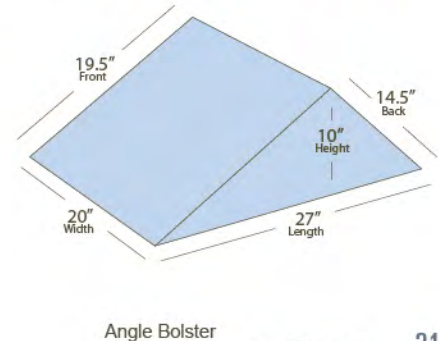
Earthlite's Peak Bolster is designed with a perfect angled peak. Provides support under the knees, ankles, or behind the neck during treatments.



Angle Bolster

A large bolster perfect for tilting a client's back up when a tilt table isn't available or to provide support under the knees while supine.

Bolster Dimensions



Upholstery & Cushioning

Durable & Eco-Friendly

At Earthlite, we work hard to provide you with the highest quality, most environmentally friendly, commercial-grade upholstery on the market. Each of our upholstery options has been put through extensive testing to ensure its strength, durability, and comfort.

Natursoft™

A 100% PU upholstery, Natursoft™ has a luxurious, silky-smooth feel. We've tested Natursoft's durability with extensive rub tests and this environmentally friendly upholstery holds up beautifully every time. Available in 16 colors.



Nature's Touch

An eco-friendly, 100% PU upholstery, Nature's Touch is durable, comfortable, and easy to clean. Available in 4 popular colors.



UltraLeather™

Direct from the designer's palette, UltraLeather™ is a stylish, ultra-soft, durable upholstery option featuring an assortment of 10 rich colors to complement any design.



Absolute Satisfaction Return Policy

If, for any reason, you are not completely satisfied with your Earthlite portable table, chair, or accessory, you may return it within thirty (30) days for a full refund (excluding shipping charges on the original order). Customized or upgraded portable tables, chairs, and accessories are non-refundable. Standard stationary and lift tables, may be returned within thirty (30) days for a refund on the subtotal (excluding shipping and handling charges on the original order) less a 20% restocking fee. Customized or upgraded stationary and lift tables are non-refundable. All returns must provide proof of original purchase to obtain an Earthlite Return Material Authorization (RMA), as well as be in like-new condition and in the original packaging. We do not accept returns on any type of custom orders. Customers will be responsible for all shipping charges.

Portable Tables, Chairs & Headrests

Earthlite guarantees our portable tables and chairs, excluding foam and upholstery, against defects in material and workmanship for as long as you, the original purchaser, own the product, or for five (5) years after the product is discontinued or modified. Foam, upholstery, and facecradle platforms are warranted for three (3) years from the original date of purchase. This warranty does not cover damage caused by misuse, accidents or neglect, which includes tears in the upholstery and damage caused by harsh chemical-based cleaners. Warranty claims must provide proof of original purchase to obtain an Earthlite Return Material Authorization (RMA). This warranty is limited to product repair or replacement, at Earthlite's sole discretion. The customer is responsible for shipping the product(s) back to the factory (at customer's expense) for any warranty claim. Earthlite will return the warranted product, shipping prepaid, to customers in the continental U.S. only. International customers as well as domestic customers outside of the continental U.S. are responsible for all shipping charges (inbound and outbound), as well as any applicable duties and taxes.

Electric Lift Tables & Stationary Tables

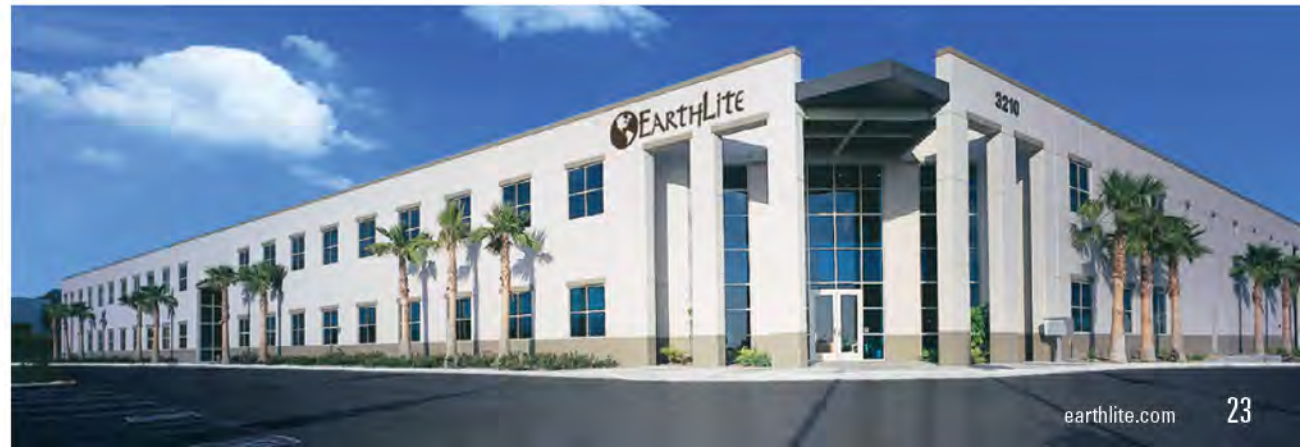
Our electric lift tables and stationary tables have a lifetime warranty on the frame. The lift motor and controls have a two (2) year warranty from the original date of purchase. If, within these two (2) years, there is a defect, malfunction or failure of the lift motor or controls, Earthlite will replace or repair the defective component at our discretion, shipping not included. The foam and upholstery are warranted for three (3) years. This warranty does not cover damage caused by normal wear and tear, misuse, accidents, or neglect, which includes tears in the upholstery and damage caused by harsh chemical-based cleaners. Warranty claims must provide proof of original purchase in order to obtain an Earthlite Return Material Authorization (RMA). This warranty is limited to product repair or replacement, at Earthlite's sole discretion. The customer is responsible for shipping the product(s) back to the factory (at customer's expense) for any warranty claim. International customers are responsible for all associated return costs (inbound and outbound), as well as any applicable duties and taxes.

Accessories

Our accessories are warranted for one (1) year from the original date of purchase. This warranty is limited to product repair or replacement, at Earthlite's sole discretion. Warranty claims must provide proof of original purchase in order to obtain an Earthlite Return Material Authorization (RMA). A product under warranty that is received with an authorized RMA, will have a replacement sent as soon as the defective product is received and confirmed defective by Earthlite. In the event that the product is returned and tested to show there is no defect, Earthlite will ship the original product back to the customer, at the customer's expense. Customer is responsible for shipping the product(s) back to the factory (at customer's expense) for any warranty claim. Earthlite will return the warranted product, shipping prepaid, to customers in the continental U.S. only. International customers as well as domestic customers outside of the continental U.S. are responsible for all shipping charges (inbound and outbound), as well as any applicable duties and taxes.

Change, Cancellation, & Rush Policy

You may change or cancel your order at any time before the order ships out; however, doing so will incur a change/cancellation fee of 20% on the subtotal of the original order. Earthlite will only issue a store credit for canceled orders. We do not accept any changes or cancellations on custom orders. For urgent orders, we can "rush" and reduce the production lead time in half for a fee of \$50 per portable, \$100 per production portable or stationary / lift, and \$20 for accessories.



Linens & Coverings

Multiple Table Covering Options

Earthlite massage accessories and supplies incorporate the quality, durability, and performance features that are considered the most essential by massage professionals.



Professional Table Cover

Protect the life of your table with Earthlite's Professional Table Cover. Designed to fit 28" to 32" flat top portable and flat top stationary tables, this ultra-durable cover offers years of trouble-free and convenient use. SnugFit™ elastic corners fit both square and round table corners while our double-stitched 100% PU upholstery ensures strength and reliability. Available in Beige and Black.



Professional Flannel Sheets

Our Professional Flannel Sheet Sets, Top Sheet, Fitted Sheet and Crescent Covers are made of durable, pre-shrunk cotton flannel and are double-napped for an extra level of soft, luxurious comfort. They may be the softest flannels you will ever feel and will withstand repeated washings. Each sheet set consists of a generously oversized top sheet, a fitted sheet, and a crescent cover.

Top Sheet: 58" x 88"

Fitted Sheet: Fits tables up to 33" W, 75" L



Basics Fleece Pad Set

Our Basics Fleece Pad Set adds an extra half inch of comfort to your table. This ultimate accessory protects the life of your table, fits most table brands, and is machine washable and dryable. Includes elastic end straps to prevent slipping. Available with facehole. Comes complete with a fitted fleece crescent cover.



Deluxe Fleece Pad Set

An incredible value, our Deluxe Fleece Pad Set is twice the thickness of our Basics fleece pad with one luxurious inch of fleece and a snug elastic fit all the way around. It fits most table brands, is machine washable and dryable, and comes complete with a fitted fleece crescent cover.





Flannel Bolster Covers

Protect your bolster while adding warmth and comfort for your clients. Available in Natural for our Full Round, Half Round, Jumbo, Half Jumbo, Fluffy, and Neck Bolster.



DuraBolster™ Cover

Protect the life of your bolster with Earthlite's DuraBolster™ Cover, a heavy-duty, water-resistant bolster cover. Designed to fit Earthlite's Full Round bolsters. Available in Beige and Black.



Basics Flannel Sheets

100% Cotton flannel sheet sets that include a top sheet, fitted sheet, and crescent cover. Available in White, Natural, Blue, and Latte.



Fitted Disposable Headrest Covers

Provide clients with an unexpectedly soft layer of sanitary comfort. Made of absorbent, hypo-allergenic, medical-grade fiber that forms perfectly to the shape of your Earthlite cushion. Available in 50-count.



Flat Disposable Headrest Covers

Protect your clients with a super-soft layer of comfort and sanitation. Made of absorbent medical-grade fiber that is also hypo-allergenic, they are perfect in your massage room or on the go. Available in 100-count.



Fleece Crescent Cover

A fitted Fleece Crescent Cover provides an entire inch of extra comfort and softness. Developed to fit most massage table headrest designs, ours is machine washable, dryable, and super comfortable.



Deluxe Digital Table Warmer

A full-sized table warmer and luxurious fleece-pad-in-one, it comes complete with a full inch of fleece, a removable digital LCD temperature controller, a quick-heat feature, auto over-heat protection, and non-slip elastic straps. 72" x 30". One year warranty.



Element Digital Table Warmer

A full-sized table warmer with a removable digital LCD temperature controller, a quick-heat feature, auto over-heat protection, flannel fabric, and non-slip elastic straps. 72" x 30". One year warranty.



Basics Table Warmer

A full-sized table warmer complete with adjustable heat settings, a comfortable fleece top, and elastic straps. 72" x 30". One year warranty.



Polar Fleece Blanket

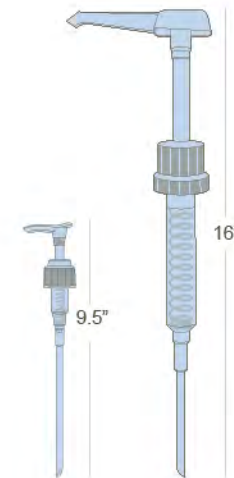
Our high-quality Polar Fleece Blanket is lightweight, yet cozy. Incredibly soft and comfortable, it is the ultimate addition to your massage table. 88" x 62".



Earthlite Oils

Professional Grade, All-Natural Ingredients

Formulated specifically for the massage professional, Earthlite's line of oils, crèmes, and lotions features proprietary blends of the finest, all-natural ingredients available. Infused with key vitamins and essential oils, Earthlite's products offer unprecedented moisture, long-lasting glide, and superior workability to therapists. And, of course, they are water-dispersible, Paraben-free, and Silicone-free.



Natural, Nut-Free Massage Oil

With Grape Seed, Jojoba, & Avocado Oils

Earthlite developed this superior nut-free massage oil as an allergen-free alternative to traditional nut oils. This custom blend of five cold-pressed nut-free oils (Safflower, Sunflower, Avocado, Grape, and Jojoba) has a light feel, smooth glide, and terrific workability. Pure Jojoba oil and Vitamin E leave the skin feeling soft and satin-like.

- Cold-pressed, nut-free oil blend
- Water-dispersible, Paraben-Free
- Available in 8 oz. and gallon sizes



Natural, Unscented Massage Oil

Water dispersible, cold-pressed Almond based oil

Earthlite's unscented massage oil is a proprietary blend of cold-pressed Almond, Sesame, Safflower, Grape Seed, and Avocado oils. Perfect for all massage modalities, it offers easy glide, superior workability, and the perfect amount of friction. Rich in powerful anti-oxidants including Vitamin E, this oil nourishes the skin while preserving beautifully.

- Premium, cold-pressed Sweet Almond-based blend
- Full of powerful anti-oxidants including Grape Seed and Vitamin E
- Washes easily from linens, water-dispersible, and Paraben-Free
- Available in 8 oz. and gallon sizes

Bottle Pumps

Our high-quality pumps make for easy dispensing and refilling. Available in gallon and 8 oz. sizes.



Crèmes & Lotions

Naturally Developed,
Professionally Proven



All-Natural Oils & Crèmes

Multi-Purpose Massage Crème With Arnica and Lavender

Earthlite's Multi-Purpose Massage Crème has a silky glide and long-lasting workability. Formulated with cold-pressed Almond oil to nourish and moisturize the skin, it is easily absorbed. Infused with healing Arnica and Lavender, it soothes the skin and body.

- Silky glide and long-lasting workability
- Arnica, Lavender, and Vitamins A, E, and C
- Available in 8 oz., 16 oz., and gallon sizes



All-In-One Massage Lotion

Never greasy, water-dispersible, and Paraben-free

Earthlite's All-In-One Massage Lotion is light, smooth, and easily absorbed to ensure your clients never leave feeling greasy or oily. With the optimal balance of glide and friction, it is perfect for any massage modality.

- Available in 8 oz. and gallon sizes

For the last seven years of my 30+ year career, I have chosen Earthlite's Massage Oil as my default massage product. It affords a silky, non-greasy glide and is truly a money saver as it washes out of all my fabrics. I purchase by the gallon because it stays consistent and pure. I customize by adding essential oils.

- Nerissa Tedesco
LMT and Spa Advisor



Stools & Steps

Tools for Improved Client Access

Earthlite carries a vast array of steps, stools, and massage tools to assist healing professionals in their massage and bodywork treatments. These tools were designed for superior ergonomics and the ultimate in comfort.



Shown in Natursoft™ Marie's Beige



Shown in Natursoft™ Teal



Shown in Natursoft™ Mystic Blue

Pneumatic Rolling Stools

Our rolling stools offer a height range of 20" to 28", heavy-duty wheels for ease of movement, rugged construction, a 3" padded seat, and a range of upholstery colors. Available standard in Natursoft™ or upgrade to UltraLeather™ upholstery. Weight limit: 350 lbs. Low height option available (15" – 18").

Rolling Stool also available with adjustable back support for added comfort.



Standard Height Range with Back Support

Standard Height Range

Low Height Range

Folding Massage Stool

The Earthlite folding stool folds flat for easy transport and storage, weighs less than 5 lbs, and can support up to 250 lbs.

Dimensions: 13" L x 13" W x 19" H

Big Step, Little Step

Strong, stable step-up platforms eliminate the need to adjust your table when working.

Big Step: 24" L x 12" W x 7" H

Little Step: 22" L x 12" W x 4" H

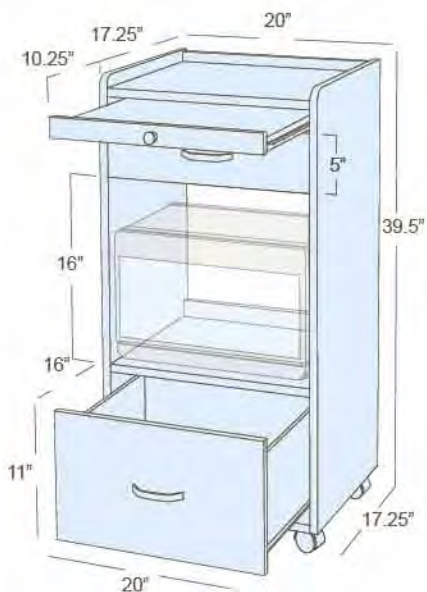


Element Trolley

HARDWOOD SPA TROLLEY

Beautiful & Functional

Earthlite's Hardwood Element Trolley anticipates the needs of today's spa therapists with a space-saving, slide-out working surface. Complete with hot towel cabinet recess, a surge protected power strip, and two generous supply drawers, the Element Trolley epitomizes versatility.



- External Dimensions:
17.25" L x 20" W x 39.5" H
- Hot Towel Warmer Cabi Opening:
15.25" L x 24" W x 13" H
- Weight: 69 lbs.
- Available in 100V, 110V, and 220V
- One Year Warranty



Powerport Strip



Locking Casters



Breadboard Slide-Out



Laminate Working Surface



Hot Towel Cabi Ready

Stationary Table Comparison



	Everest	Everest Spa	Everest Eclipse	Ellora	Ellora Vista	Ellora Electric	Sedona	Yosemite	Apex	Apex Lift
Width	28", 30", 32"	28", 30", 32"	28", 30", 32"	28", 30", 32"	28", 30", 32"	28", 30", 32"	28", 30", 32"	25"	24"	24"
Length	73"	73"	73"	73"	73"	73"	73"	73"	72"	72"
Standard Height Range	25"-37"	26"-38"	27-37"	18"-37"	18"-36"	18"-36"	24"-33"	19"-26"	19"-27"	21"-29"
Standard Shipping Weight	273 lbs.	415 lbs.	407 lbs.	271 lbs.	278 lbs.	377 lbs.	113 lbs.	81 lbs.	118 lbs.	243 lbs.

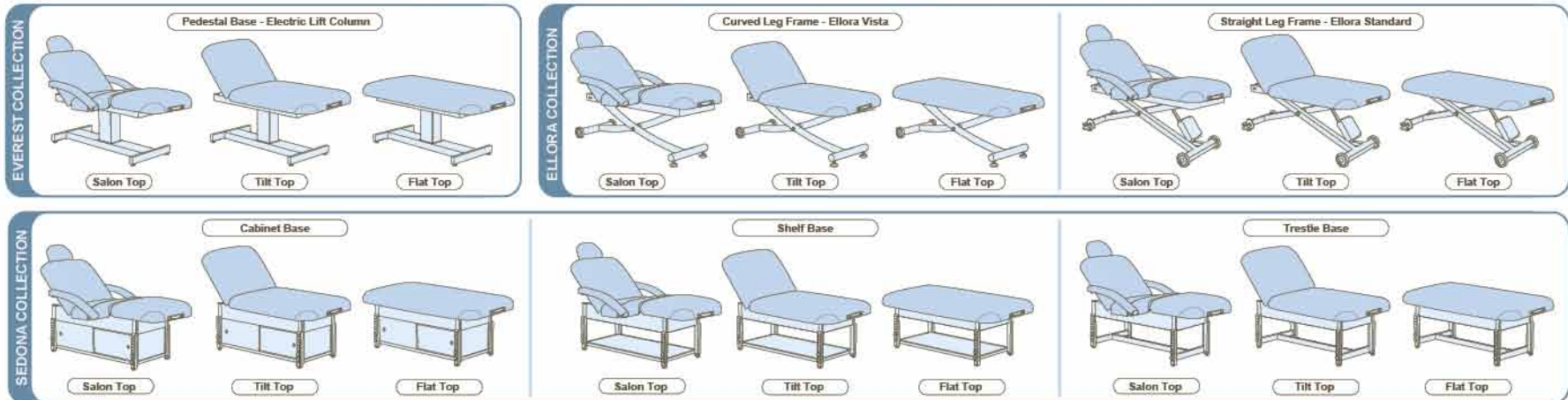
SPECIFICATIONS

	Pedestal Base	Pedestal Base	Pedestal Cabinet Base	Straight Leg Frame	Curved Leg Frame	Curved Leg Frame	Cabinet, Shelf, or Trestle	Aluminum	Steel	Pedestal Base
Lift Mechanism	Electric Column Lift	Electric Column Lift	Electric Column Lift	Electric Scissor Lift	Electric Scissor Lift	Electric Scissor Lift	Manual	Manual	Manual	Electric Column Lift
Controls	Foot Control	Foot Control	Foot Control	Foot Control	Foot Control	Hand/Foot Control				Foot Control
UL Listed Motor	✓			✓	✓	✓				
Upholstery	Natursoft™	Natursoft™	Natursoft™	Natursoft™	Natursoft™	Natursoft™	Natursoft™	Nature's Touch	Natursoft™	Natursoft™
Pro Plush Deluxe™ 5", 3 Layer Cushioning System	✓	✓	✓	✓	✓	✓	✓			
High Density 3" Cushioning									✓	✓
Multi Density 2.5" Cushioning								✓		
Max. Working Weight (lbs)	650	650	650	600	650	650	1000	800	800	800
ADA Compliant				✓	✓	✓		✓	✓	
Certification	CE Listed	CE Listed	CE Listed	CE Listed	UL / CE Listed	UL / CE Listed	CE Listed			

OPTIONAL FEATURES

UltraLeather™ Upholstery	✓	✓	✓	✓	✓	✓	✓		✓	✓
Manual Back Tilt	✓	✓	✓	✓	✓	✓	✓			
Manual Salon (Back & Leg)	✓		✓	✓	✓	✓	✓			
Pneumatic Back Tilt	✓	✓ (Rectangle Only)	✓	✓	✓	✓	✓			
Pneumatic Salon (Back & Leg)	✓	✓ (Rectangle Only)	✓	✓	✓	✓	✓			
Deluxe Hanging Armrest	✓ (Flat End Only)	✓ (Flat End Only)	✓ (Flat End Only)	✓ (Flat End Only)	✓ (Flat End Only)		✓			
Optional Second Foot Pedal	✓	✓	✓	✓	✓	✓				✓
Stain Option		✓	✓	✓	✓	✓	✓			
4" Memory Foam	✓	✓	✓	✓	✓	✓	✓			

MULTIPLE TOP & BASE/FRAME VARIATIONS



MediSport™

PHYSIOTHERAPY
TABLE PACKAGE

The Ultimate Work Surface

Stationary strength in a portable table – it almost seems too good to be true. And yet, it's not. Earthlite's MediSport™ is narrow in design, allowing total client access without compromising comfort or style. A heavy-duty frame, low height range, and compact design offer incredible support and stability for osteopaths, chiropractors, and physical therapists. Topped with a firm 1½" high-density cushioning system, the MediSport™ takes the concept of a "working surface" to a whole new level.



Shimmy-Lok™ Leg Braces



Narrow Design



Firm 1 ½" Cushioning System

Yosemite™

Compact Stationary Shiatsu Table

The Earthlite Yosemite™ was designed for total client access and is perfect for deep tissue bodywork and sports massage. The Yosemite™ comes with powder-coated aluminum adjustable-height legs and Earthlite's patented Shimmy-Lok™ leg braces for ultimate stability. With a firm, yet responsive 2½" cushioning system and our supple Nature's Touch upholstery, the Yosemite™ is *the* choice for Shiatsu and sports medicine practitioners.

- Weight: 81 lbs.
- Width: 25"
- Length: 73"
- Height Range: 19" – 26"
- Working Weight: 800 lbs.

Shown in Nature's Touch Agate

- Weight: 34 lbs.
- Width: 25"
- Length: 73"
- Height Range: 17.5" – 26.5"
- Working Weight: 800 lbs.

Shown in Nature's Touch Black



Traditional Facehole and Filler Plug



Low Height Range



Firm 1 ½" Cushioning System



Apex™

CHIROPRACTIC
STATIONARY

Chiropractic Value

The heavy-duty Apex™ Stationary, an adjustment table with tilting headpiece, features 3" of specialized foam for patient comfort and doctor functionality. Its modern design, rugged construction, and durable, seamless upholstery make it a true "Doctor's Choice."



Durable Seamless Upholstery



Stationary Armrests



Tilting Headpiece with 4" of Cushioning



Powder Coated Steel Frame



Manually Adjustable Height



High-Density 3" Cushioning on Table

MADE IN THE USA
with components sourced globally

ADA
Compliant

Shown in Natursoft™ Black

STANDARD FEATURES

- Durable Seamless Upholstery
- Rugged Powder Coated Steel Frame
- High-Density 3" Cushioning
- Paper Roll Hanger and Cutter Attachment
- Adjustable Height Range
- Adjustable Headrest
- Natursoft™ Upholstery – 100% PU in 16 colors
- Lifetime Limited Warranty

OPTIONS

- UltraLeather™ Upholstery

SPECIFICATIONS

- Width: 24"
- Length: 72"
- Height Range: 19" – 27"
- Max. Working Weight: 800 lbs.

CE



Apex™ Lift

CHIROPRACTIC LIFT
TABLE

Durable & Functional

Need the smooth transitions and convenience an electric lift chiropractic table provides? The Apex™ Lift quietly adjusts to your desired height in mere seconds. Its luxurious cushioning, tilting headpiece, and heavy-duty lift capacity offer precision ergonomics and superior comfort.



**MADE IN THE
USA**
with components
sourced globally

Shown in Natursoft™ Mystic Blue



Seamless Upholstery



Stationary Armrest



Tilting Headpiece with
4" of Cushioning



Powder Coated Steel
Frame



Smooth, Quiet Electric
Lift Actuator



High-Density 3"
Cushioning on Table

STANDARD FEATURES

- Modern Design
- High-Density 3" Cushioning
- Paper Roll Holder and Cutter Attachment
- Stationary Armrest
- Powder Coated Steel Frame
- Rugged Steel Frame
- Adjustable Headrest
- Natursoft™ Upholstery – 100% PU in 16 colors
- Lifetime Limited Warranty

OPTIONS

- UltraLeather™ Upholstery
- Additional Foot Pedal

SPECIFICATIONS

- Width: 24"
- Length: 72"
- Height Range: 21" – 29"
- Lift capacity: 400 lbs.

CE



EARTHlite
World's #1 Brand in Massage™

Sedona™

STATIONARY
TREATMENT TABLE

Stunning & Strong

Found in the finest resort spas worldwide, this handcrafted Hard Maple treatment table is the perfect centerpiece for any spa. The Sedona™ series boasts manually adjustable legs, a sturdy hardwood frame, and a luxurious, rounded corner top. But, that's not all. We know how important comfort is. We've covered the Sedona™ with our Pro-Plush™ Deluxe 3" cushioning system and sumptuous Natursoft™ upholstery. So ... stunning, strong, *and* comfortable.



Sedona™ Flat shown with Shelf Base

MADE IN THE USA
with components sourced globally



Beautiful, Solid Maple Frame



Manual Tilt Adjustment



Non-Electric Pneumatic-Assist Top



Exceptional Value



Variety of Design and Tilt Options



Multiple Base Options



Pro-Plush™ Deluxe 3-Layer, 3" Cushioning



Sumptuous, Durable Natursoft™ Upholstery

Shown in Natursoft™ Latte

STANDARD FEATURES

- Solid Hard Maple construction
- Rounded Corners
- Pro-Plush™ Deluxe 3-Layer 3" Cushioning System
- Natursoft™ Upholstery – 100% PU in 16 colors
- Double knobs for added strength
- Lifetime Limited Warranty

OPTIONS

- Manual Tilt or Salon Top
- Non-Electric Pneumatic-Assist Tilt or Salon Top
- UltraLeather™ Upholstery
- Trestle Base or Cabinet Base
- Flex Arms, Neck Roll and Salon Pillow
- Custom Stains
- Flex-Rest™ or Caress™ Facecradle
- 4" Memory Foam System

SPECIFICATIONS

- Widths: 28", 30", 32"
- Length: 73"
- Height Range: 24" – 33"
- Max. Working Weight: 1000 lbs.

CE





Sedona™ Tilt with Trestle Base

- Sturdy Maple construction
- Available in a variety of base options
- Manual or Non-Electric Pneumatic-Assist Tilt Top available



Sedona™ Salon with Element Trolley



Shown with Optional
Accessories

Sedona™ Salon with Cabinet Base

- Available in a variety of base options
- Manual or Non-Electric Pneumatic-Assist back and leg support
- Perfect for a variety of salon, spa, and massage treatments

**MADE IN THE
USA**
with components
sourced globally

Ellora™

ELECTRIC LIFT TABLE

The Most Popular Spa Lift Table

We know how important comfort is, but let's not forget reliability. Earthlite's Ellora™ provides you with the perfect balance of both. With 3" Pro-Plush™ Deluxe cushioning and Natursoft™ upholstery, it redefines comfort. A powder-coated steel frame with a whisper-quiet UL-listed electric lift actuator and a sturdy foot control provide exceptional accessibility, easy care, and years of trouble-free use. Comfort, meet Reliable.



Ellora™ Salon with
Optional Accessories



Manual Tilt
Adjustment



Non-Electric
Pneumatic-Assist Top



Reliable, UL-Listed
Actuator



Heavy-Duty Steel
Frame



Rounded Corners for
Easy Client Access



Multi-Purpose
Treatment Options



Pro-Plush™ Deluxe
3-Layer, 3" Cushioning



Sumptuous, Durable
Natursoft™ Upholstery



Ellora™ Tilt



Ellora™ Flat

Shown in Natursoft™ White

MADE IN THE USA
with components sourced globally

ADA
Compliant

STANDARD FEATURES

- Heavy Duty Steel Frame
- Reliable, UL-Listed Motor
- Pro-Plush™ Deluxe 3", 3-Layer Cushioning System
- Hands Free Foot Control
- Natursoft™ Upholstery – 100% PU in 16 colors
- Wheels for Ease of Movement
- ADA Compliant and UL Listed
- Lifetime Limited Warranty

OPTIONS

- Manual Tilt or Salon Top
- Non-Electric Pneumatic-Assist Tilt or Salon Top
- Extra Foot Pedal
- UltraLeather™ Upholstery
- Flex Arms, Neck Roll and Salon Pillow
- Flex-Rest™ or Caresse™ Facecradle
- 4" Memory Foam System

SPECIFICATIONS

- Widths: 28", 30", 32"
- Length: 73"
- Height Range: 18" – 37"
- Recommended Lift Capacity: 600 lbs.

CE

EARTHlite
World's #1 Brand in Massage™

Ellora Vista™

ELECTRIC LIFT TABLE

Ultra-Strong, Super Sleek

Earthlite's Ellora Vista™ is a stronger, sleeker version of the universally popular Ellora™. Perfect for day spas, medi-spas, and resorts, it features a whisper-quiet yet powerful electric lift actuator complete with on-demand height adjustments. This stunningly designed table provides exceptional comfort, function, and years of trouble-free use.



Ellora Vista™ Salon with Optional Accessories



Manual Tilt Adjustment



Non-Electric Pneumatic-Assist Top



Curved, Steel Frame



Rounded Corners for Easy Client Access



Hands Free Foot Control



Pro-Plush™ Deluxe 3-Layer, 3" Cushioning



Sumptuous, Durable Natursoft™ Upholstery



Ellora Vista™ Tilt



Ellora Vista™ Flat with Optional Flex-Rest™



Shown in Natursoft™ Marie's Beige

STANDARD FEATURES

- Heavy Duty Curved Steel Frame
- Reliable, UL-Listed Motor
- Luxuriously upholstered top with rounded Salon Corners
- Pro-Plush™ Deluxe 3-Layer 3" Cushioning System
- Hands Free Foot Control
- Natursoft™ Upholstery – 100% PU in 16 colors
- Rounded Corners
- ADA Compliant and UL Listed
- Lifetime Limited Warranty

OPTIONS

- Manual Tilt or Salon Top
- Non-Electric Pneumatic-Assist Tilt or Salon Top
- Extra Foot Pedal
- UltraLeather™ Upholstery
- Flex Arms, Neck Roll and Head Pillow
- Flex-Rest™ or Caress™ Facecradle
- 4" Memory Foam System

SPECIFICATIONS

- Widths: 28", 30", 32"
- Length: 73"
- Height Range: 18" – 36"
- Recommended Lift Capacity: 650 lbs.



Ellora Vista™

ELECTRIC SALON TABLE

Beautiful. Versatile. Powerful.

The Ellora Vista™ Electric Salon is the most affordable luxury electric salon table on the market. With a curved steel frame, an exceptionally powerful Scandinavian electric lift actuator, on-demand height adjustments, and a stunningly upholstered electric salon top, the Ellora Vista™ Electric Salon brings the perfect balance of power and grace to the luxury treatment table. ADA Compliant.



Ellora Vista™ Electric Salon Top
with Optional Neck Roll



Fully Articulating
Electric Salon Top



Curved Steel Frame



Hands Free Foot
Control



Ergonomic Hand
Control



Pro-Plush™ Deluxe
3-Layer, 3" Cushioning



Sumptuous, Durable
Natursoft™ Upholstery

MADE IN THE
USA
with components
sourced globally

ADA
Compliant

Shown in Natursoft™ Latte

STANDARD FEATURES

- Fully Electric Salon Top
- Heavy Duty Steel Frame
- Smooth, Reliable Motor
- Rounded Salon Corners
- Hand and Foot Controls
- Wheels for ease of movement
- Pro-Plush™ Deluxe 3" 3-Layer Cushioning
- Natursoft™ Upholstery – 100% PU in 16 colors

- ADA Compliant and UL Listed
- Bariatric Rated
- Lifetime Limited Warranty

OPTIONS

- Extra Foot Pedal
- Flex Arms, Neck Roll, and Salon Pillow
- UltraLeather™ Upholstery
- Flex-Rest™ or Caress™ Facecradle
- 4" Memory Foam System

SPECIFICATIONS

- Width: 28", 30", 32"
- Length: 73"
- Height Range: 18" – 36"
- Knee Tilt: 9.6-second lift to 85°
- Back Tilt: 9.6-second lift to 85°
- Recommended Lift Capacity: 650 lbs.

CE



Everest Eclipse™

ELECTRIC LIFT TABLE

Multi-Purpose Spa Table

Modern in design. Exceptional in comfort. The Everest Eclipse™ does exactly as its name suggests: it eclipses its surroundings. With precision-crafted cabinetry for storage or a hot towel cabinet, the Everest Eclipse™ brings functional design to a sleek new level. Smooth, quiet height adjustments and ultra-luxurious cushioning offer unparalleled spa-level comfort. It is your multi-purpose solution for every spa need – perfect for massage, facials, and various other treatments.

Multiple Top Options



Salon Top



Tilt Top



Flat Top



Shown in Natursoft™ White

Everest Eclipse™ Tilt with Standard Black Lacquer



Stunning Cabinetry with Ample Storage



Accent Lighting



Manual or Non-Electric Pneumatic-Assist Top



Rugged, Swiss-Made Lift Column



Pro-Plush™ Hand Upholstered Cushioning



Sumptuous, Durable Natursoft™ Upholstery

Oils and Hot Towel Cabi sold separately

MADE IN THE USA
with components sourced globally

STANDARD FEATURES

- Rounded Salon Corners
- Stunning Black Lacquer Base
- Heavy Duty Steel Frame
- Natursoft™ Upholstery – 100% PU in 16 colors
- Pro-Plush™ Deluxe 3-Layer 3" Cushioning System
- Accent Lighting
- 4 Inset Pockets
- 2 Storage Drawers; 1 Faux Drawer
- Lifetime Limited Warranty

OPTIONS

- Manual Position Back Tilt
- Non-Electric Pneumatic-Assist Facial or Salon Top
- Extra Foot Pedals
- Custom Wood Stains & Upholstery
- Flex Arms, Neck Roll, and Salon Pillow
- UltraLeather™ Upholstery
- Flex-Rest™ or Caress™ Facecradle
- 4" Memory Foam System

SPECIFICATIONS

- Width: 28", 30", 32"
- Length: 73"
- Height Range: 27.75" – 37.75"
- Hot Towel Cabi-Cubbi™: 10" x 16.25" x 12"
- Recommended Lift Capacity: 600 lbs.

CE



EARTHlite
World's #1 Brand in Massage™

Everest™

PEDESTAL LIFT TABLE

Single Pedestal Electric Lift Table

An ideal choice for day spas, medi-spas, and resorts, the Everest™ is stable, strong, and ultra-comfortable. It provides smooth and quiet height adjustments with an easy-to-use foot pedal. A luxurious top complete with Pro-Plush™ Deluxe cushioning and Natursoft™ upholstery completes this versatile treatment table.



Everest™ Salon with Optional Accessories



Manual Tilt Adjustment



Non-Electric Pneumatic-Assist Top



Rugged, UL-Listed Actuator



Smooth, Easy Electric Lift



Powder-Coated Base



Luxurious Spa Comfort



Pro-Plush™ Deluxe 3-Layer, 3" Cushioning



Sumptuous, Durable Natursoft™ Upholstery



Everest™ Tilt



Everest™ Flat with Optional Flex-Rest™

Shown in Natursoft™ Marie's Beige

STANDARD FEATURES

- Heavy Duty Steel Frame
- Single Pedestal
- Pro-Plush™ Deluxe 3", 3-Layer Cushioning System
- Natursoft™ Upholstery – 100% PU in 16 colors
- Hands Free Foot Control
- UL Listed
- Lifetime Limited Warranty

OPTIONS

- Manual Tilt or Salon Top
- Non-Electric Pneumatic-Assist Tilt or Salon Top
- Extra Foot Pedal
- UltraLeather™ Upholstery
- Flex Arms, Neck Roll and Salon Pillow
- Flex-Rest™ or Caress™
- 4" Memory Foam System

SPECIFICATIONS

- Widths: 28", 30", 32"
- Length: 73"
- Height Range: 25" – 37"
- Recommended Lift Capacity: 600 lbs.



MADE IN THE USA
with components sourced globally



Everest™ Spa

PEDESTAL LIFT TABLE

Spa Comfort in a Stunning Design

Like our traditional Everest™, it was designed for both beauty and function, but the Everest™ Spa Series takes design and comfort up a notch – incorporating a stunning array of base choices, Stitched-Fit™ square corners, smooth and quiet height adjustments, deluxe cushioning, and even a choice of an embedded facecradle.



Everest™ Spa Salon with
Optional Accessories and
Optional Black Lacquer Base



Everest™ Spa Tilt with
Standard Natural Maple Base



Everest™ Spa Oval with
Optional Embedded Facecradle and
Optional Black Lacquer Base

Shown in Natursoft™ White & Black



Everest™ Spa Flat with
Standard Natural Maple Base

MADE IN THE
USA
with components
sourced globally

STANDARD FEATURES

- Heavy Duty Steel Frame
- Single Pedestal
- Pro-Plush™ Deluxe 3", 3-Layer Cushioning System
- Natursoft™ Upholstery – 100% PU in 16 colors
- Hands Free Foot Control
- Natural Maple Hardwood Base
- Square Corners or Oval Top
- Lifetime Limited Warranty

OPTIONS

- Custom Wood Stains and Upholstery
- Manual Tilt or Salon Top
- Non-Electric Pneumatic-Assist Tilt or Salon Top
- Extra Foot Pedal
- UltraLeather™ Upholstery
- Flex Arms, Neck Roll and Salon Pillow
- Flex-Rest™ or Caress™ Facecradle
- 4" Memory Foam System

SPECIFICATIONS

- Widths: 28", 30", 32"
- Length: 73"
- Height Range: 26" – 38"
- Recommended Lift Capacity: 600 lbs.

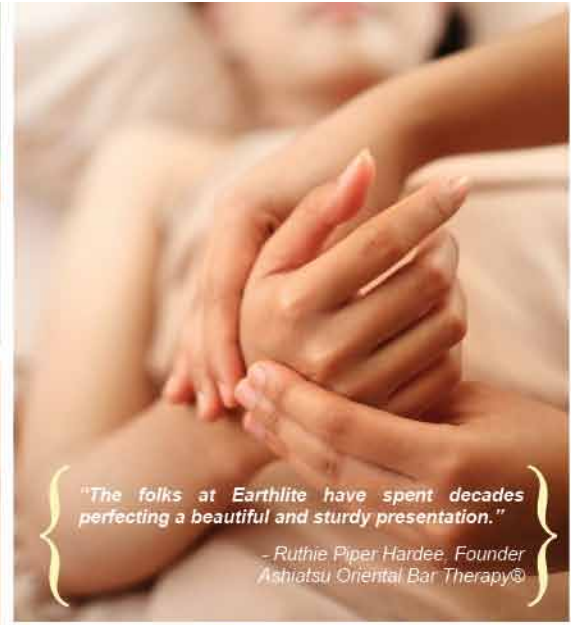
CE



EARTHlite
World's #1 Brand in Massage™



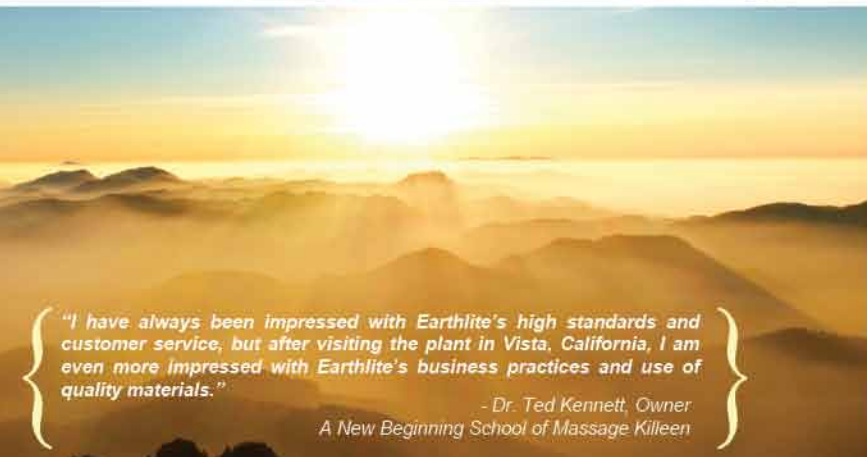
EARTHlite[®]
World's #1 Brand in Massage™



"The folks at Earthlite have spent decades perfecting a beautiful and sturdy presentation."
- Ruthie Piper Hardee, Founder
Ashitsu Oriental Bar Therapy®



"Earthlite's customer service is outstanding. No follow-up, no frustrations, just good quality product and customer service."
- Jan Kendall, Manager
International Center For Reiki Training



"I have always been impressed with Earthlite's high standards and customer service, but after visiting the plant in Vista, California, I am even more impressed with Earthlite's business practices and use of quality materials."
- Dr. Ted Kennett, Owner
A New Beginning School of Massage Killeen



"We can always trust Earthlite to stand behind all their products and equipment, be it newly purchased or over 15 years old. I personally recommend Earthlite to every aspiring massage therapist."
- Greg St. Jacques, Director of Education
Central Mass School of Massage

A Letter From Our CEO

I am grateful for this opportunity to speak directly to our valued customers and industry partners. The massage and spa industry is ever-changing, challenging all of us to stay ahead of the curve. Today, we look forward to demonstrating how Earthlite's approach to excellence separates us from the rest.

Globalization

In 1987, Earthlite sold its products almost exclusively in California. In recent years, our unmatched reputation for quality and environmental awareness has created a demand outside of our local home. Today, our products are used in over 100 countries. The challenge for us has been twofold: One, meet production requirements in these burgeoning markets; two, effectively transfer Earthlite's Guiding Principles to both our employees and to our distribution partners around the globe. Today, Earthlite has production capabilities on three continents: North America, Europe, and Asia. All of these state-of-the-art facilities operate to the same stringent ethical, quality, and environmental standards. This is one of the cornerstones of our corporate mission.

No Compromise on Quality

At Earthlite, we understand the importance of innovative, high-quality product at an affordable price. Today's massage therapists and spa owners are looking for the best value product for their hard-earned money. That is why we won't compromise on innovation or comfort to bring you a low price. Instead, we strive to bring you the best of both worlds: quality and affordability. What's more, Earthlite upholds an industry best warranty program. Our customers count on our unwavering commitment to quality materials and workmanship. We strive, above all things, to provide them with everything they need for a lifetime of professional success.

Healing Humanity

At its core, Earthlite believes in healing humanity through touch. We understand that continual innovation, high quality standards, and stringent ethical and environmental policies are crucial in our ability to achieve this goal. No matter where we are in the world, we strive for excellence in both our products and in our principles.



James Chenevey, CEO
Earthlite



2012 Environmental
Leadership Award



2012 Favorite Manufacturer
Massage Table / Facial
Chair



2013 Best
Massage Table
Manufacturer



Favorite Company for Manufacturer Support
Best Treatment Table Manufacturer



EARTHlite®
World's #1 Brand in Massage™



Everest Lift Tables at the Jiva Grande, Umaid Bhawan Palace, Jodhpur, India

Earthlite Massage Tables
3210 Executive Ridge,
Vista, Ca. 92081
800 • 872 • 0560
760 • 599 • 1112